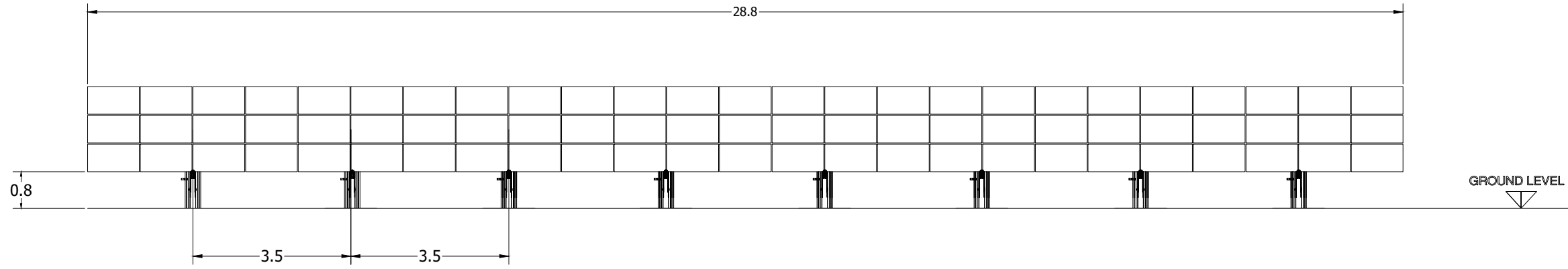
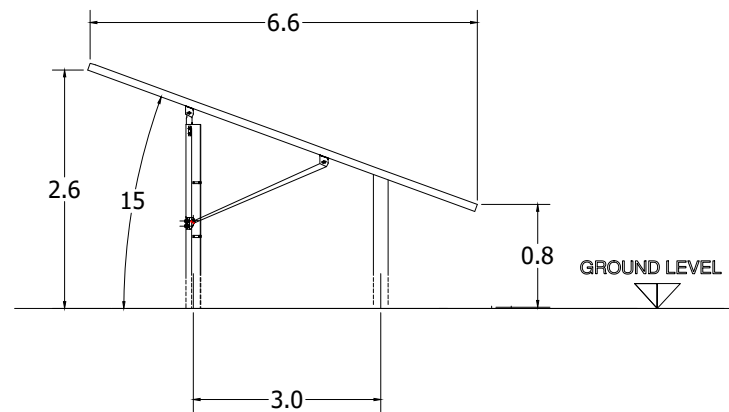


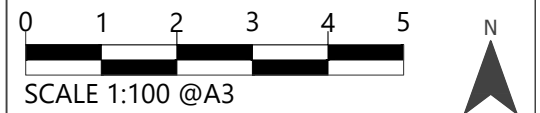
FRONT VIEW



SIDE VIEW



NOTE: DIMENSIONS CORRECT. DRAWINGS NOT TO SCALE



Produced: EL	Ref: 3757_FIG_REP_0001
Reviewed:	Date: 03/12/2020
Approved:	

Racking and Solar Panel Elevation
Planning Drawing 3

Planning Application
Aldeby Solar Park

The above drawing shows a typical panel elevation with a height of 2.6 m, however the maximum height of panels could be up to 3 m, to account for variations in slope and aspect on the site.