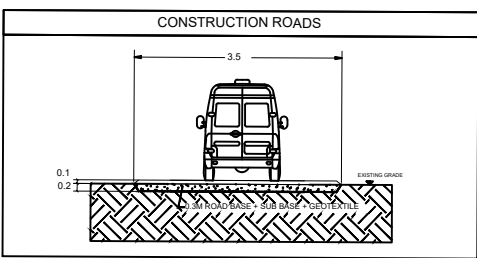
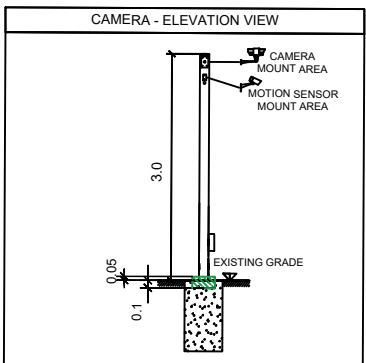
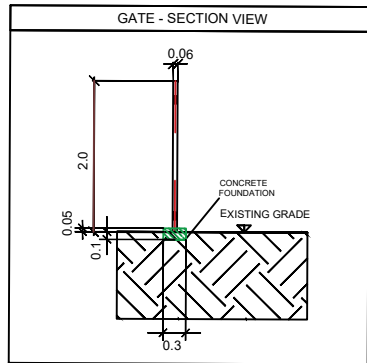
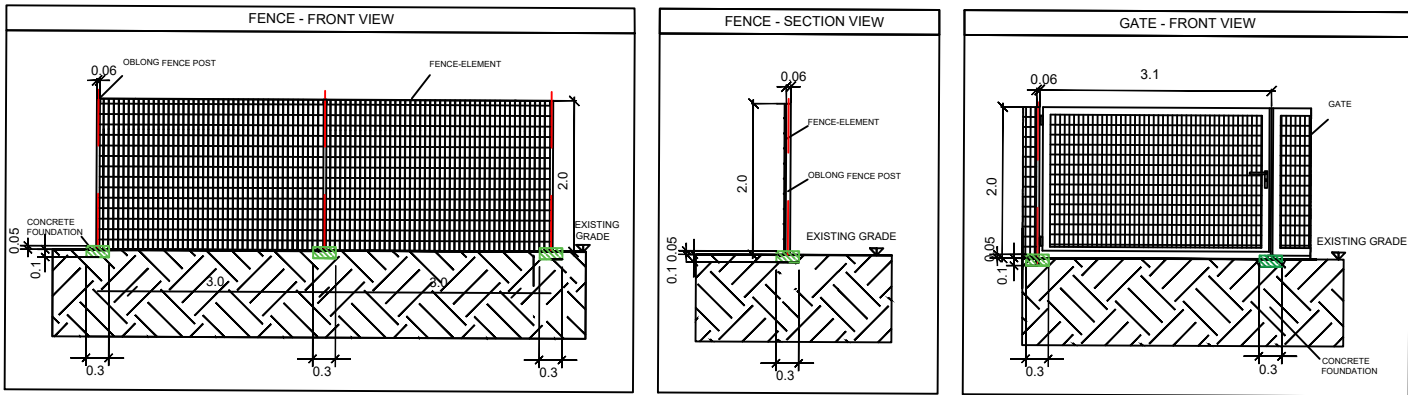
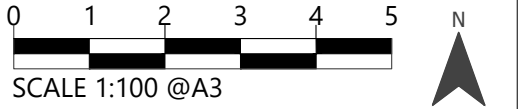


GATE, FENCE & CONSTRUCTION ROAD DETAILS



NOTE: DIMENSIONS CORRECT. DRAWINGS NOT TO SCALE



Produced: EL	Ref: 3757_FIG_REP_0007
Reviewed:	Date: 03/12/2020
Approved:	

**Gate, Fence, CCTV,
Road Elevation**
Planning Drawing 9

**Planning Application
Aldeby Solar Park**