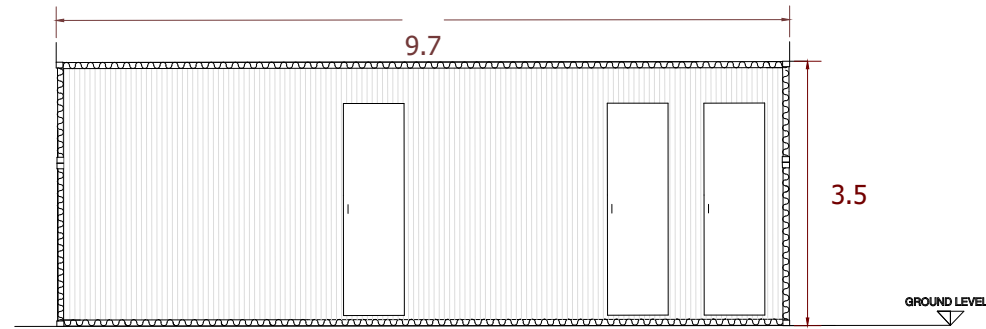


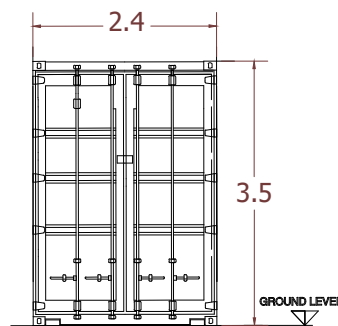
FRONT VIEW



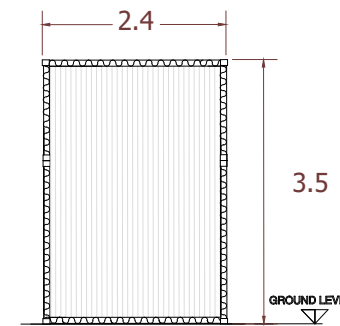
BACK VIEW



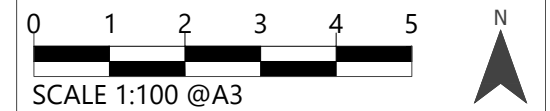
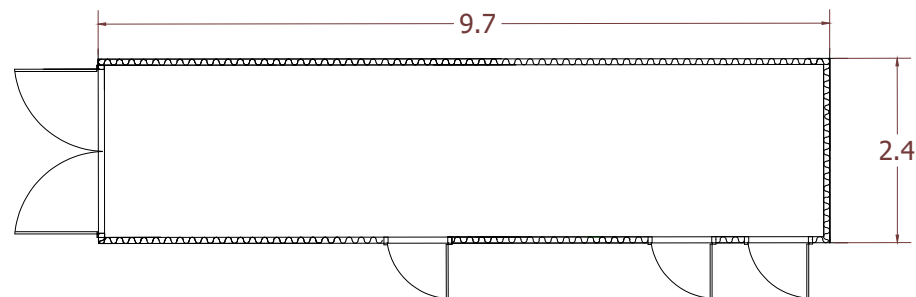
LEFT SIDE VIEW



RIGHT SIDE VIEW



PLAN VIEW



Produced: EL	Ref: 3757_FIG_REP_0002
Reviewed:	Date: 02.12.2020
Approved:	

DNO Switching Station Elevation
Planning Drawing 4

Planning Application
Aldeby Solar Park