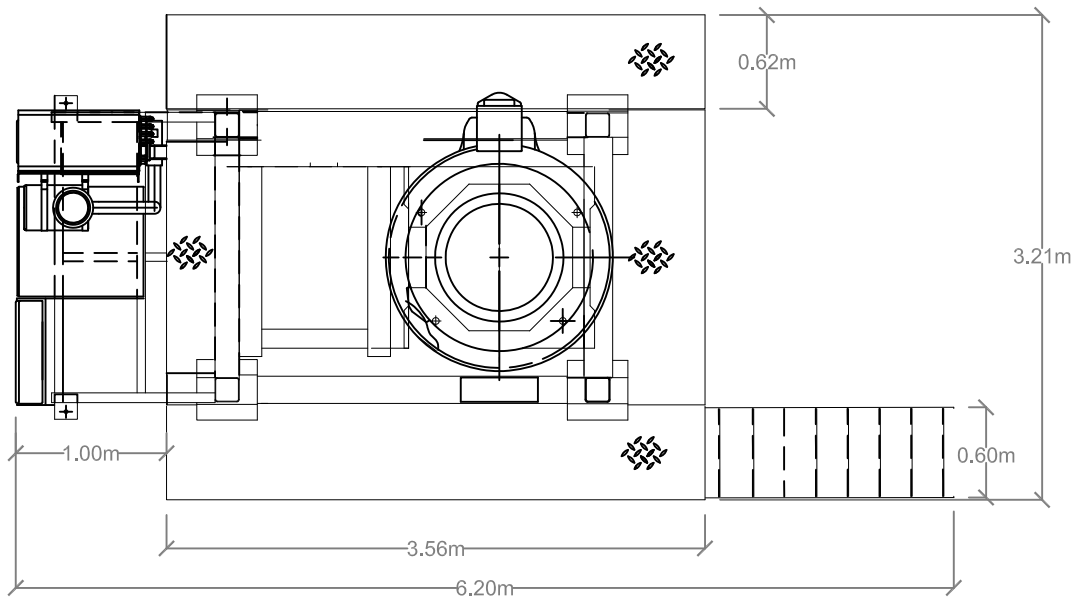


Elevation



Plan view

**NOTES:**

Colour: BS4800-10-B-17 (Rev 1998)

All dimensions are in metres

**KEY:**

m: metres

GL: ground level

<b>STATUS:</b> <input type="checkbox"/> OUTLINE <input type="checkbox"/> SKETCH <input type="checkbox"/> PLANNING <input type="checkbox"/> TENDER <input type="checkbox"/> CONSTRUCTION <input type="checkbox"/> AS BUILT		<b>SCALE</b> 1:50@A4  <b>DATE</b> 22-08-11  <b>DRAWN</b> FM/GM  <b>CHECKED</b> SL	Rev. _____ Date _____ By _____ Check _____ <b>DWG NO.</b> V17 - 02  <b>PROJECT</b> Manor Farm, Haddiscoe Earsham Gravels Ltd  <b>DWG</b> 40mm Crusher Metso HP100
---	--	---	---

<input type="checkbox"/> <b>BEDFORD</b> 01234 261315 <input type="checkbox"/> <b>LONDON</b> 020 7252 0002 <input checked="" type="checkbox"/> <b>NORWICH</b> 01603 230777 <input type="checkbox"/> <b>WOODBIDGE</b> 01394 380509	Do not scale off drawing. All dimensions and levels are to be checked on site. Any discrepancies must be reported to The Landscape Partnership immediately. © The Landscape Partnership Ltd
---	--

